

Drop Arm Commode



Installation Instructions

Model No. 9669

Yes, you can.

SAVE THESE INSTRUCTIONS

NOTE: Check all parts for shipping damage. In case of damage, DO NOT use. Contact Carrier/Invacare for further instructions.

Safety Summary

To ensure the safe and proper installation of the Drop Arm Commode, these instructions **MUST** be followed:

⚠ WARNING

DO NOT use this equipment without first reading and understanding this instruction sheet. If you are unable to understand the warnings, cautions and instructions, contact a healthcare professional, dealer or technical personnel if applicable, before attempting to install this equipment - otherwise, injury or damage may occur.

Invacare products are specifically designed and manufactured for use in conjunction with Invacare accessories. Accessories designed by other manufacturers have not been tested by Invacare and are not recommended for use with Invacare products.

Snap buttons **MUST** be fully engaged and aligned in the proper height adjustment hole of each leg before use. This ensures that the legs are securely locked and an even height adjustment is achieved.

Make certain all screws, nuts and/or bolts are tight at all times.

Inspect rubber tips on the leg extensions for rips, wear or if they are missing. Replace them immediately if any of these conditions exist.

Leg extensions with rubber tips **MUST** be in contact with the floor at all times.

Toilet seat **MUST** be down before attempting to sit on the commode. Pail holders are not constructed to support the weight of an individual, only the pail and its contents.

Use the arm supports only for assistance. **DO NOT** attempt to use the arms to support full body weight.

Arms should be unlatched and dropped to assist in transfer onto/off the device.

Users with limited physical capabilities should be supervised or assisted when using the commode.

The Commode listed has a weight limitation of 250 lbs (114 kg). Consult a qualified technician if assistance is required in selecting the appropriate Invacare commode for you.

⚠ INSTALLATION WARNING

Before removing/installing seat and lid, allow seat/ring to reach room temperature if exposed to cold. This will help prevent the seat clamps from breaking when being removed/installed onto commode back frame rail.

For more information regarding Invacare products, parts, and services, please visit www.invacare.com

Adjusting the Leg Height

NOTE: For this procedure, refer to FIGURE 1.

1. Remove commode from carton.
2. Align the snap button of each leg extension with the appropriate adjustment hole in the leg frame.
3. Make certain that the snap buttons are fully engaged into the adjustment hole of each leg frame and are at the same height before using.

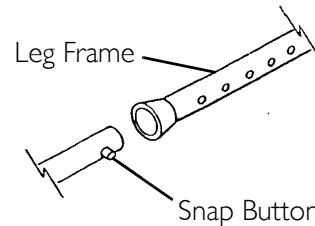


FIGURE 1 Adjusting the Leg Height

Installing/Removing the Commode Seat and Lid

NOTE: For this procedure, refer to FIGURE 2.

Installing

1. Align the seat clamps of the toilet seat onto the back frame rail.

NOTE: Each clamp should sit outside the pail holders.

2. Push down on seat until it clamps firmly into place.
3. Repeat STEPS 1-2 to install the lid.

Removing

NOTE: Always remove the lid before removing the seat.

1. Grasp the back corner of the lid and lift up firmly.
2. Repeat STEP 1 for the seat.

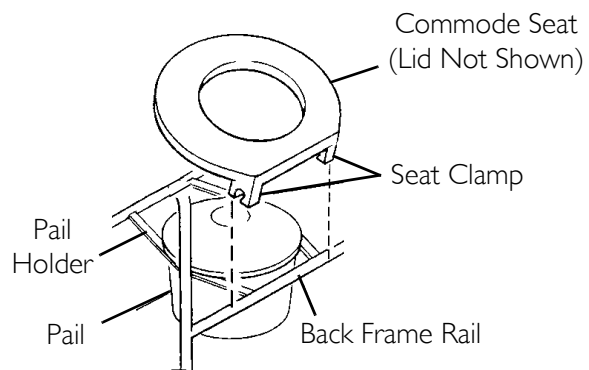


FIGURE 2 Installing/Removing the Commode Seat and Lid

Operating the Drop Arms

NOTE: For this procedure, refer to FIGURE 3 on page 3.

1. Grasp one arm latch handle firmly. Refer to Detail "A" of FIGURE 3.
2. Squeeze the arm latch handle toward the drop arm tube shown in FIGURE 3.
3. Gently lower the drop arm tube shown in Detail "B" of FIGURE 3.
4. Perform STEPS 1-3 for the opposite arm.

⚠ WARNING

When repositioning arm(s) to the locked position, ensure that the bottom portion of the arm latch rests on top of the pin on the upright portion of the leg tube. The arm will then be positioned for use.

- Reverse STEPS 1-3 to reposition arm(s) into the locked position.

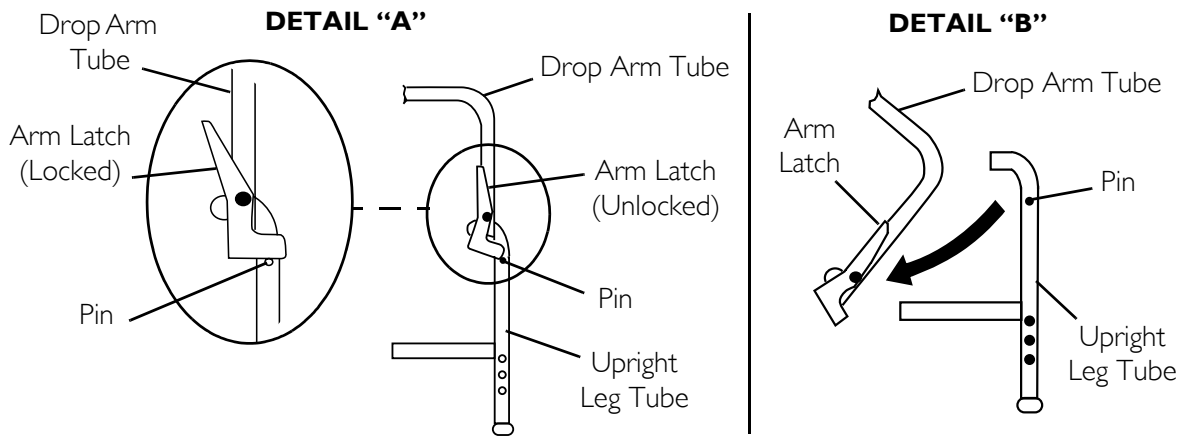


FIGURE 3 Operating the Drop Arms

Replacing the Armrests

NOTE: For this procedure, refer to FIGURE 4.

- Remove the two Phillips® screws from the underside of each drop arm tube.
- Lift armrest from each drop arm tube.
- Reverse STEPS 1-2 to install/reinstall the armrests.

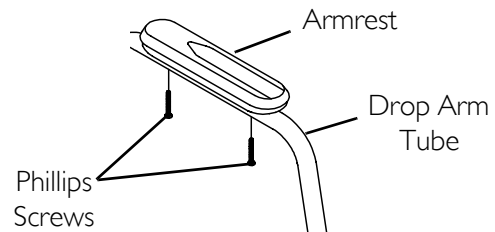


FIGURE 4 Replacing the Armrests

Cleaning and Lubrication

Cleaning

Clean with a damp cloth and non-abrasive cleanser.

Lubrication

To make raising or lowering the seat/lid easier, you may lubricate the commode back frame rail with a very small amount of petroleum jelly or furniture polish.

LIMITED WARRANTY

PLEASE NOTE: THE WARRANTY BELOW HAS BEEN DRAFTED TO COMPLY WITH FEDERAL LAW APPLICABLE TO PRODUCTS MANUFACTURED AFTER JULY 4, 1975.

This warranty is extended to the original purchaser/user of our products.

This warranty gives you specific legal rights and you may also have other legal rights which vary from state to state.

Invacare warrants its product to be free from defects in materials and workmanship for a period of three years for the original purchaser. If within such warranty period any such product shall be proven to be defective, such product shall be repaired or replaced, at Invacare's option. This warranty does not include any labor or shipping charges incurred in replacement part installation or repair of any such product. Invacare's sole obligation and your exclusive remedy under this warranty shall be limited to such repair and/or replacement.

For warranty service, please contact the dealer from whom you purchased your Invacare product. In the event you do not receive satisfactory warranty service, please write directly to Invacare at the address below. Provide dealer's name, address, model number, date of purchase, indicate nature of the defect and, if the product is serialized, indicate the serial number.

Invacare Corporation will issue a return authorization. The defective unit or parts must be returned for warranty inspection using the serial number, when applicable, as identification within thirty days of return authorization date. **DO NOT** return products to our factory without prior consent. **C.O.D.** shipments will be refused; please prepay shipping charges.

LIMITATIONS AND EXCLUSIONS: THIS WARRANTY SHALL NOT APPLY TO PROBLEMS ARISING FROM NORMAL WEAR OR FAILURE TO ADHERE TO THE ENCLOSED INSTRUCTIONS. IN ADDITION, THE FOREGOING WARRANTY SHALL NOT APPLY TO SERIAL NUMBERED PRODUCTS IF THE SERIAL NUMBER HAS BEEN REMOVED OR DEFACED; PRODUCTS SUBJECTED TO NEGLIGENCE, ACCIDENT, IMPROPER OPERATION, MAINTENANCE OR STORAGE; PRODUCTS MODIFIED WITHOUT INVACARE'S EXPRESS WRITTEN CONSENT (INCLUDING, BUT NOT LIMITED TO: MODIFICATION THROUGH THE USE OF UNAUTHORIZED PARTS OR ATTACHMENTS); PRODUCTS DAMAGED BY REASON OF REPAIRS MADE TO ANY COMPONENT WITHOUT THE SPECIFIC CONSENT OF INVACARE; PRODUCTS DAMAGED BY CIRCUMSTANCES BEYOND INVACARE'S CONTROL; PRODUCTS REPAIRED BY ANYONE OTHER THAN AN INVACARE DEALER. SUCH EVALUATION SHALL BE SOLELY DETERMINED BY INVACARE.

THE FOREGOING WARRANTY IS EXCLUSIVE AND IN LIEU OF ANY OTHER WARRANTIES WHATSOEVER, WHETHER EXPRESSED OR IMPLIED, INCLUDING THE IMPLIED WARRANTIES OF MERCHANTABILITY AND FITNESS FOR A PARTICULAR PURPOSE, AND THE SOLE REMEDY FOR VIOLATIONS OF ANY WARRANTY WHATSOEVER, SHALL BE LIMITED TO REPAIR OR REPLACEMENT OF THE DEFECTIVE PRODUCT PURSUANT TO THE TERMS CONTAINED HEREIN. THE APPLICATION OF ANY IMPLIED WARRANTY WHATSOEVER SHALL NOT EXTEND BEYOND THE DURATION OF THE EXPRESS WARRANTY PROVIDED HEREIN. INVACARE SHALL NOT BE LIABLE FOR ANY CONSEQUENTIAL OR INCIDENTAL DAMAGES WHATSOEVER.

THIS WARRANTY SHALL BE EXTENDED TO COMPLY WITH STATE/PROVINCIAL LAWS AND REQUIREMENTS.

Invacare Corporation www.invacare.com



Yes, you can.®

USA
One Invacare Way
Elyria, Ohio USA
44036-2125
800-333-6900

Canada
570 Matheson Blvd E Unit 8
Mississauga Ontario
L4Z 4G4 Canada
800-668-5324

Invacare, Yes, you can. and the Medallion Design are registered trademarks of Invacare Corporation. Phillips is a registered trademark of The Phillips Screw Company.

© 2006 Invacare Corporation

Part No 1062011

Rev G - 06/01/06